

# IK-530 长伸缩式吹灰器

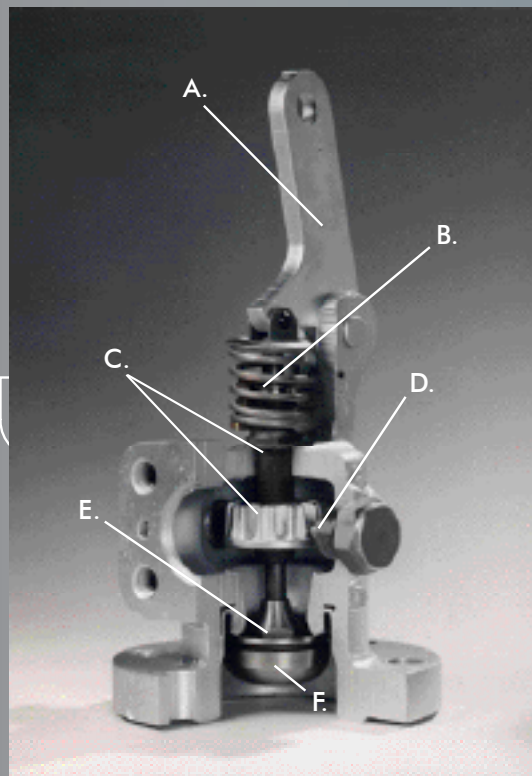
general duty sootblower

# 技术规格 Specifications

吹灰行程 Cleaning Coverage	最大可达11米。 Up to and including 11m.
行程速度(m/min) Travel Speeds (m/min)	0.9~3.5
电机参数 Motor Data	Y90S-4 B5型 1.1KW 1400 RPM。 Y90S-4 B5 type 1.1KW 1400 RPM.
内管材料 Feed Tube Material	1Cr18Ni9Ti
枪管材料 Lance Tube Material	15CrMo;1Cr18Ni9Ti; 30Cr1MoV.
吹灰介质阀门 Blowing Medium Valve (Steam or Air)	戴蒙德提升阀，具有柔性阀座、阀瓣和整体调压机构。 Diamond Power poppet valve with removable flexible seat and disc and integral adjustable pressure control.
电源供应 Power Supply	380V 50Hz 3Ph
辅助托架 Auxiliary Support	行程超过7.62米时提供。 Provided for 7.62m travel and above.
防护盖板 Safety Cover	易拆卸。 Easily removable.
梁体 Beam	高频焊接H型钢。 High frequency dielectric weld fabricated steel H-beam.
齿条 Gear Rack	单齿条。 Single gear rack drive.
前支撑 Front Support	双滚轮，可调整旋转方向。 Dual bearing rollers with adjustable rotation direction.

## 吹灰器提升阀 Poppet Valve

- A.** 无需导向的阀门启闭机构；  
Direct mechanical valve action.
- B.** 阀杆坚固，导向可靠。填料密封面充裕，维护量小；  
Rugged stem, hardened valve stem guide, and generous packing surface for minimum maintenance.
- C.** 螺旋式调压盘可精确调节吹灰压力和流量；  
An internal adjustable pressure disc allows very close regulation at low flow rates.
- D.** 定位销保证设置压力恒定；  
Lock pin to hold pressure setting.
- E.** 一体的抛光钴铬钨合金阀座经过水压试验，保证阀座和本体间无渗漏；  
The valve seat is welded in and surface-hardened with stellite, then lapped in with the valve disc to ensure a 100% leak-free valve.
- F.** 柔性阀瓣保证每次精确定位。  
Floating valve disc assures tight seating every time.



# IK-530 长伸缩式吹灰器

## general duty sootblower

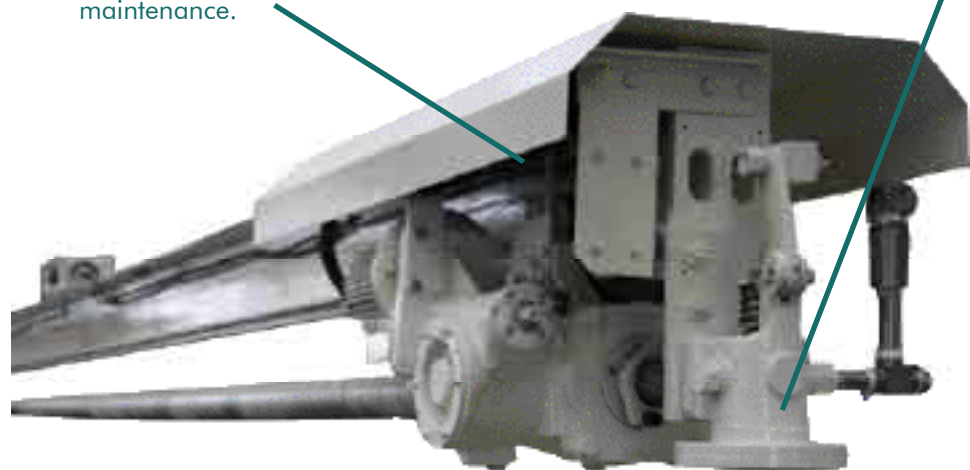
**机械操作的提升阀**  
独立的压力调节装置，精确地设置调节压力和控制流量。无需导向的机械操作的提升阀能全程保证阀门的开启和关闭。吹灰介质(蒸汽或空气)的压力调节由单独的调压盘完成。此设计避免了当压力调整时，介质对阀门的冲击所造成的阀座和阀瓣的损伤。

### Mechanically Operated Poppet Valve

Positive action poppet valve with direct mechanical actuation provides reliable full-stroke opening and closing. The pressure adjustment of the blowing medium (steam or air) is accomplished with a separate, adjustable pressure disc. This eliminates seat and disc damage that occurs when pressure adjustment is made by partially stroking a valve.

**弹性电缆**  
性能可靠、维护简易。

**Expandable Cable Power Supply**  
Reliable performance with simple maintenance.



**全封闭的齿轮传动跑车**  
平稳而全封闭设计的齿轮传动跑车使齿条和齿轮受力均匀，延长使用寿命。

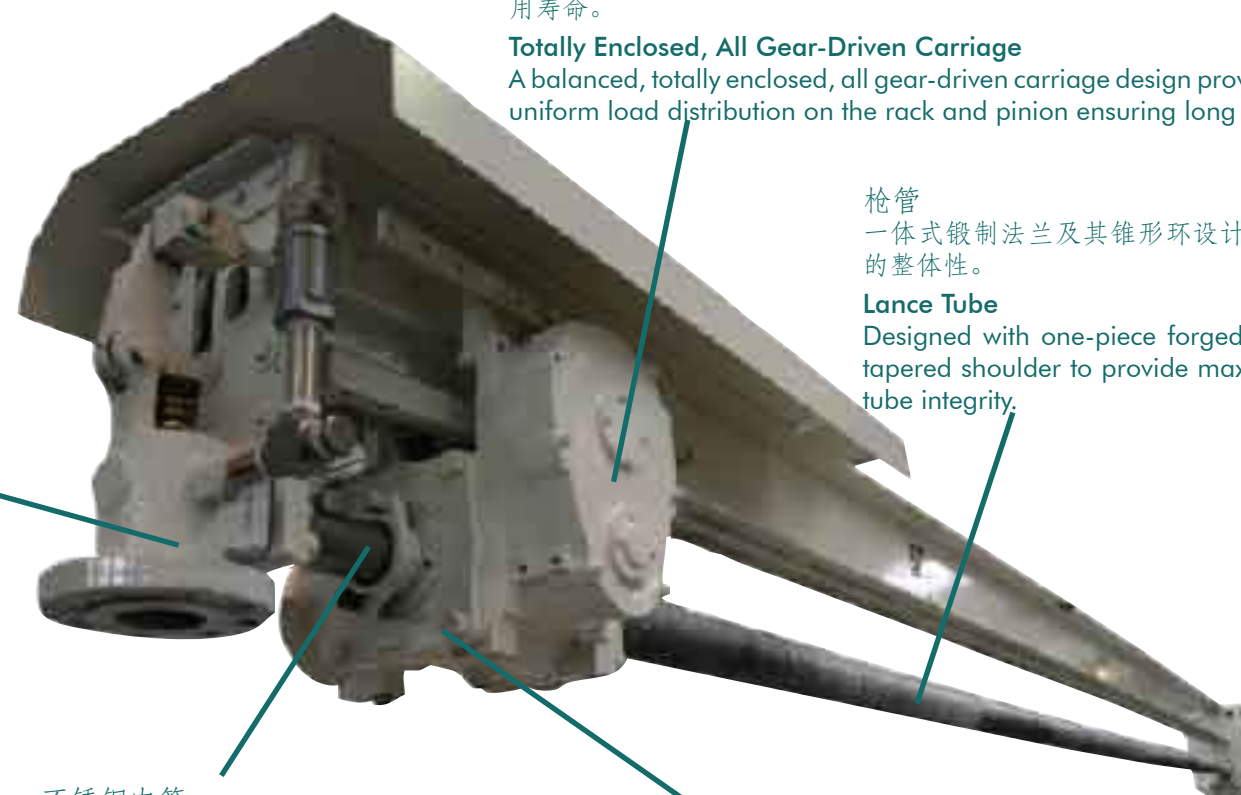
### Totally Enclosed, All Gear-Driven Carriage

A balanced, totally enclosed, all gear-driven carriage design provides uniform load distribution on the rack and pinion ensuring long life.

**枪管**  
一体式锻制法兰及其锥形环设计保证了枪管的整体性。

### Lance Tube

Designed with one-piece forged flange and tapered shoulder to provide maximum lance tube integrity.



**不锈钢内管**  
耐腐蚀性的抛光表面，可延长填料寿命。

### Stainless Steel Feed Tube

Corrosion-resistant with polished surface to extend packing life.

**全密封的单驱动电机**  
法兰连接的电机确保枪管在每一个吹灰周期都旋转和移动良好。

### Totally Enclosed Single Drive Motor

Flange-mounted motor assures reliable translation and rotation during each blowing cycle.

reliability 值得信赖  
economy 经济实用  
performance 性能卓越

### 优点 Benefits

- 易于维护;  
Easy to Maintain;
- 成本低;  
Cost Effective Solution;
- 可靠而坚固的设计;  
Reliable and Rugged Design;
- 便于安装;  
Convenient Installation;
- 跑车运行平稳;  
Carriage Design Provides Smooth Operation;
- 重量轻, 高强度工字梁结构。  
Light Weight, High Strength H-Beam Construction.

# IK-530 长伸缩式吹灰器

## general duty sootblower

戴蒙德电力机械(湖北)有限公司秉承其高品质产品和服务的传统，推出IK-530长伸缩式吹灰器。戴蒙德公司因其产品的高性能和耐久性而闻名，而采用单齿条传动设计的IK-530长伸缩式吹灰器，在保证性能的同时，更是为客户提供了一种经济型选择。

Diamond Power Machine (Hubei) Co., Inc., continuing a tradition of high quality products and services, is proud to offer the IK-530 Retractable Sootblower, designed specifically for power utility boilers and general duty service. The single rack and pinion design offers an economical alternative for those seeking performance and durability, backed by the Diamond Power name.

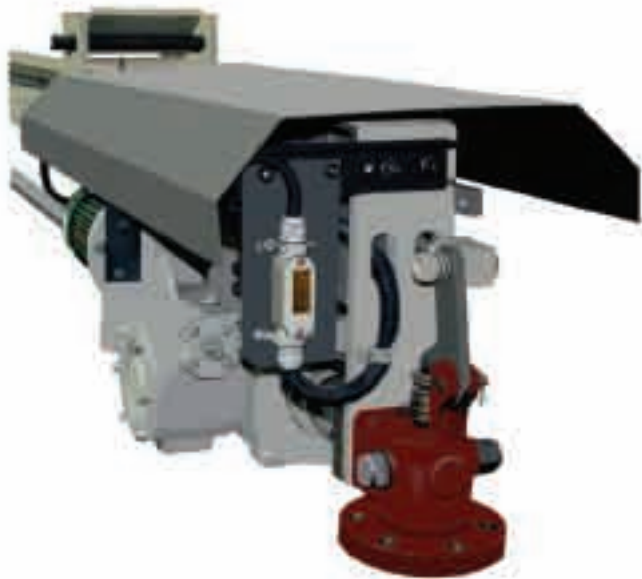
IK-530是一种性能可靠且非常坚固的长伸缩式吹灰器，可广泛应用于炉膛宽度在22米以内、大小不一的锅炉。This incredibly rugged solution may be used in a broad range of applications, on boilers up to 22 meters in furnace width.

尽管不同于双齿条传动的标准型IK-525，但IK-530跑车的大部分零件可与IK-525互换。IK-530的开放式设计在保证性能的同时，又使维护和服务更加便捷。IK-530跑车运行平稳，保证齿条最小磨损。

While the IK-530 differs from the dual rack and pinion drive system of the industry standard Diamond Power IK-525, most of the IK-530 carriage parts are interchangeable with the IK-525 carriage. The open design of the IK-530 provides easy access to key components making maintenance and service convenient while still providing reliable performance you expect. The IK-530 carriage is well balanced across the axis of the sootblower travel so as to provide smooth operation and minimum rack wear.

IK-530的各个部件--从拥有专利的机械操作式提升阀，到可防止因受力而变形的独特柔性阀座和阀瓣，都证明了它维护简易，性能可靠的特点。

The low-maintenance, reliable design of the IK-530 is evident in each of the components – from the patented, mechanically operated poppet valve to the unique, flexible seat and disc that prevents leaks and distortion from thermal stress.



reliability  
conomy  
rformance

www.diamondpower.com.cn | 86.27.5922.2295

本册信息仅供参考，并不构成产品保证或合同义务之要约，也不得解释为产品保证或合同义务，戴蒙德电力机械(湖北)有限公司保留修改资料及设计的权利，恕不另行通知。

The information contained herein is solely for informational purposes and is not offered, nor should it be construed, as a warranty or contractual obligation. Diamond Power Machine (Hubei) Co. Inc. reserves the right to make design or material changes without notice.

戴蒙德电力机械(湖北)有限公司(以下简称“戴蒙德湖北”)成立于1987年，为戴蒙德国际在中国的全资子公司。

Diamond Power Machine (Hubei) Co. Inc. (DPMH) is a wholly-owned Diamond Power International Inc. (DPII) company located in China, founded in 1987.

在锅炉清洁和灰渣处理领域，戴蒙德国际是全球公认的行业先导。一百多年以来，戴蒙德国际始终致力于为电力、造纸等工业锅炉提供锅炉清洁创新技术，解决行业最棘手的技术问题，并带来最佳回报。戴蒙德国际总部位于美国俄亥俄州兰卡斯特，并在世界各地拥有80多个销售、服务支持、分销和生产机构。

Diamond Power International, Inc. is a globally acknowledged market leader in all aspects of boiler cleaning and ash handling. For more than 100 years, DPII has consistently provided innovative technologies for power generation, pulp & paper and industrial boiler designs, proven to solve the most difficult plant challenges while delivering promised benefits. Diamond Power is headquartered in Lancaster, Ohio, U.S. with more than 80 field sales, service support, distribution and manufacturing locations worldwide.

历经百年：“信任源于经验，选择源于性能。”

For more than a century: *Trusted for Experience. Preferred for Performance.*<sup>SM</sup>



ISO9001:2008

CNAS C001-Q

证书编号 Certificate No.: 00109Q213008R2M/4200

**Diamond Power**  
**Machine (Hubei) Co. Inc.**  
a Diamond Power International, Inc. company

戴蒙德电力机械(湖北)有限公司

©2008 戴蒙德电力机械(湖北)有限公司版权所有。  
©2008 Diamond Power Machine (Hubei) Co. Inc. All rights reserved.

DPMH-1000-0408-01